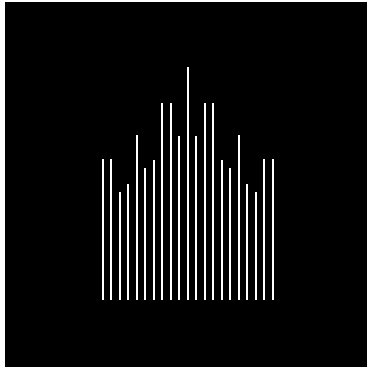


H1 - Series

Access control interface with smartcard reader and integrated backlight control



Model#: H1

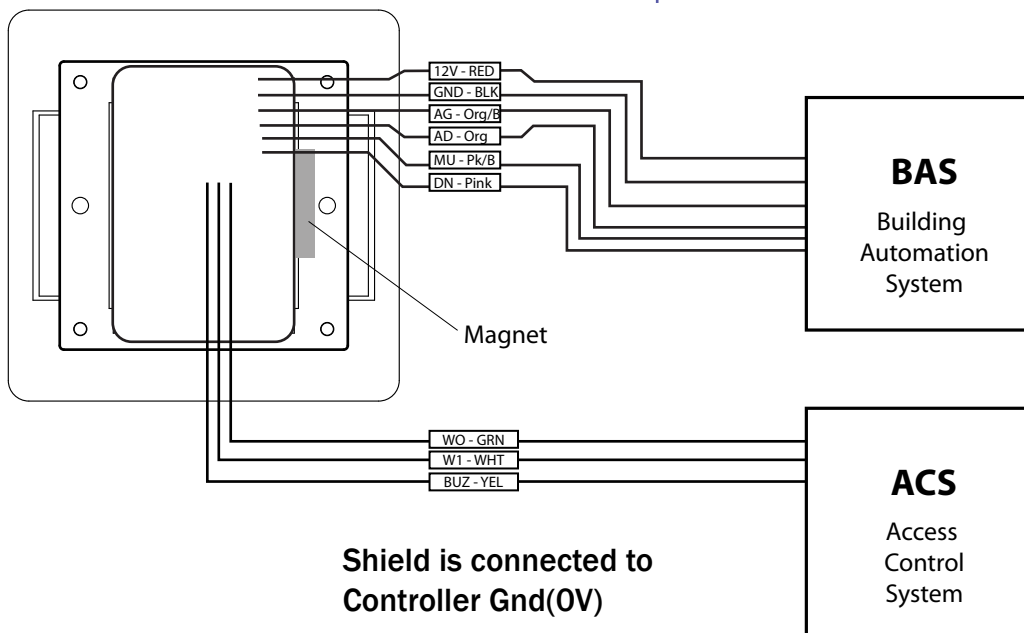
Specifications

Output Protocol	Wiegand
Power Requirement	+12V DC regulated
Current Consumption:	
Single Power Source	250mA
Read Range	30 - 40mm
Operating Temp	-10degC to +65degC
Relative Humidity	90% max, operating non-condensing
Backlighting Logo:	
Steady State Mode	White
Access Status	Green and Red
Audible Tone	Internal and External Buzzer Control

Connections

Name	Wire Colour	Notes
AG	Orange/Black	Access granted / Logic Low (ground) / Flashing Green
AD	Orange	Access denied / Logic Low (ground) / Flashing Red
MU	Pink/Black	Make up room / Logic Low (ground) / Solid Green
DN	Pink	Do not disturb / Logic Low (ground) / Solid Red
	Green	W0
	White	W1
	Yellow	Buzzer
	Red	+12V dc
	Black	Gnd

Wiring Layout



BAS: Building Automation System
ACS: Access Control System